

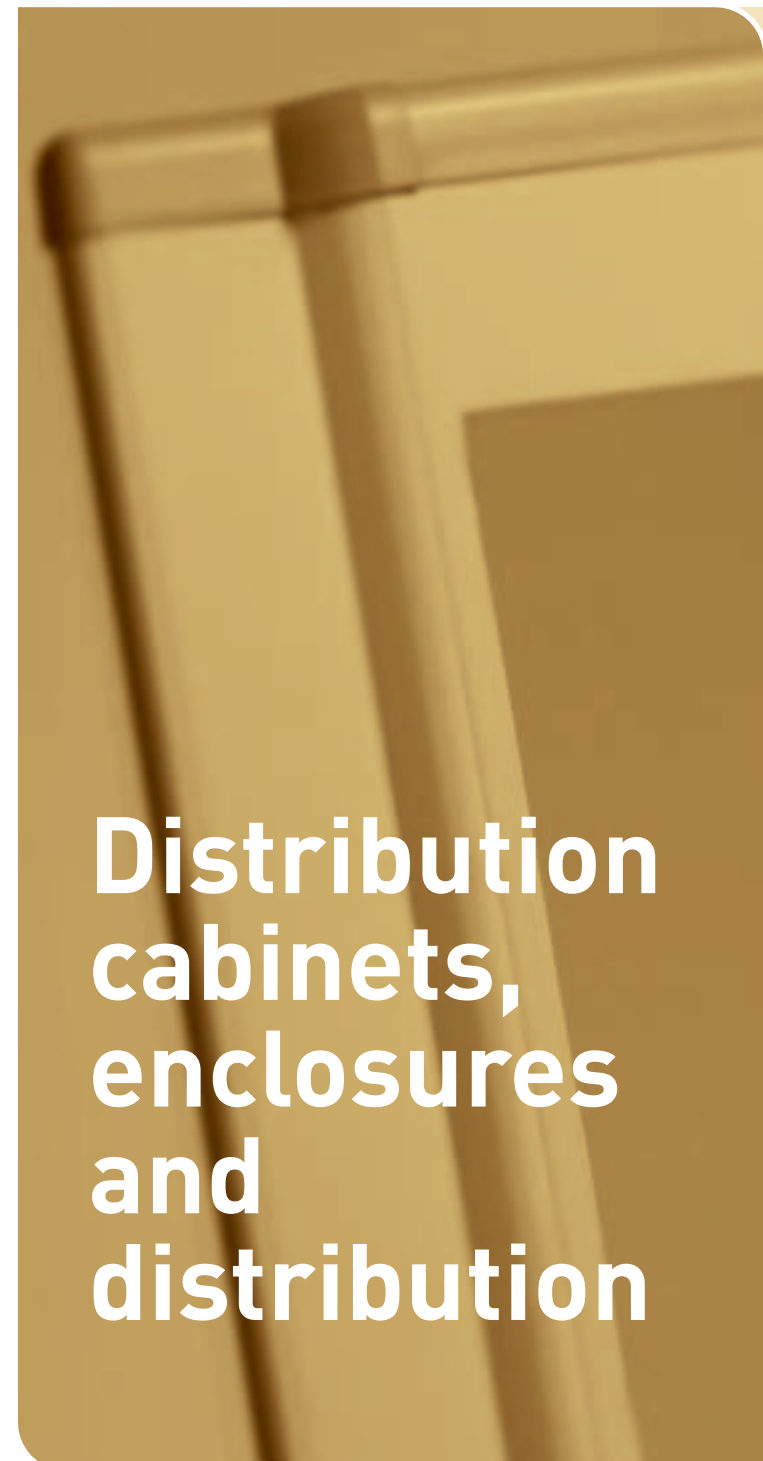


CATALOGUE

2007-2008

PRODUCTS AND SYSTEMS  
FOR ELECTRICAL INSTALLATIONS  
AND INFORMATION NETWORKS



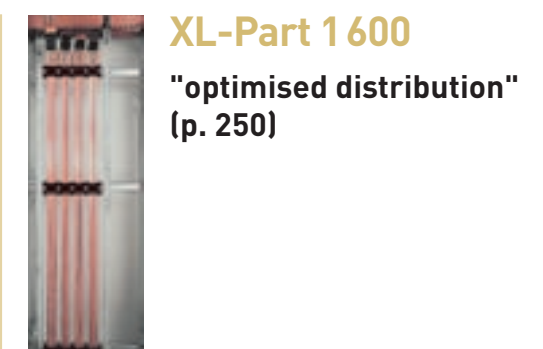
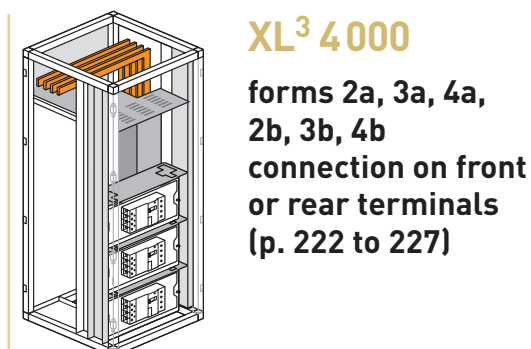


# Distribution cabinets, enclosures and distribution

<ul style="list-style-type: none"> <li>- Nedbox</li> <li>- Terminal shield boxes</li> <li>- NX flush mounting cabinets</li> <li>- Consumer units</li> <li>- Plexo</li> <li>- XL<sup>3</sup> 160</li> </ul>	<p><b>P. 162</b> Nedbox surface mounting distribution cabinets</p>	<p><b>P. 164</b> Terminal shield boxes</p>	<p><b>P. 165</b> Ekinox NX flush mounting distribution cabinets</p>	<p><b>P. 166</b> Consumer units</p>	<p><b>P. 167</b> Plexo terminal shield boxes and distribution cabinets</p>
	<p><b>P. 168</b> Presentation of XL<sup>3</sup> 160</p>	<p><b>P. 170</b> XL<sup>3</sup> 160 metal cabinets</p>	<p><b>P. 171</b> XL<sup>3</sup> 160 insulating cabinets</p>	<p><b>P. 172</b> XL<sup>3</sup> 160 flush mounting cabinets</p>	<p><b>P. 173</b> XL<sup>3</sup> 160 doors, equipment</p>
<b>XL<sup>3</sup> 400</b>	<p><b>P. 174</b> Presentation of XL<sup>3</sup> 400 and XL<sup>3</sup> 800</p>	<p><b>P. 178</b> Cabinets, enclosures IP 44, IP 55, doors, equipment</p>	<p><b>P. 181</b> Rail for Vistop, DPX-IS 250, DPX 125/160/250 ER</p>	<p><b>P. 182</b> Plates for DPX, DPX-IS fixed version</p>	<p><b>P. 185</b> Wiring and connection accessories, universal plates</p>
<b>XL<sup>3</sup> 800</b>	<p><b>P. 188</b> Equipment selection chart</p>	<p><b>P. 190</b> Cabinets, enclosures Cable sleeves IP 55</p>	<p><b>P. 194</b> Modular enclosures</p>	<p><b>P. 196</b> Rail for Vistop, DPX-IS 250, DPX 125/160/250 ER</p>	<p><b>P. 197</b> Plate for DPX-IS, DPX 125 to 1600 fixed version</p>
	<p><b>P. 202</b> Presentation of XL<sup>3</sup> 4000</p>	<p><b>P. 204</b> Equipment selection chart</p>	<p><b>P. 208</b> Enclosures and cable sleeves</p>	<p><b>P. 196</b> NEW Rail for Vistop, DPX-IS 250/630, DPX 125/160/250 ER</p>	<p><b>P. 212</b> NEW Plate for DPX 125 to 1600 fixed version</p>
<b>XL<sup>3</sup> 4000</b>	<p><b>P. 213</b> NEW Adjustable plates for DPX 125/160/250 ER fixed and plug-in version</p>	<p><b>P. 215</b> NEW Adjustable plates for DPX 250/630 fixed and plug-in version</p>	<p><b>P. 217</b> NEW Adjustable plates for DPX 1600 fixed and draw-out version</p>	<p><b>P. 219</b> NEW Fixing devices for DMX 2500/4000 fixed and draw-out version</p>	<p><b>P. 222</b> NEW Forms 2a, 3a, 4a, 2b, 3b, 4b</p>
"Standard" distribution	<p><b>P. 228</b> Presentation of distribution</p>	<p><b>P. 231</b> Supply busbars, entry terminals</p>	<p><b>P. 232</b> Distribution terminal blocks</p>	<p><b>P. 233</b> Modular distribution blocks</p>	<p><b>P. 234</b> Power distribution blocks</p>
	<p><b>P. 236</b> NEW Copper bars and busbars support selection chart</p>	<p><b>P. 238</b> NEW Busbars supports for XL<sup>3</sup> and copper bars</p>	<p><b>P. 240</b> Connectors, alu/copper distribution boxes</p>		
"Optimised" distribution	<p><b>P. 246</b> XL-Part 100, XL-Part 125</p>	<p><b>P. 247</b> XL-Part row distribution block 250 and 400 A</p>	<p><b>P. 249</b> XL-Part 400 active blackplate for XL<sup>3</sup> 400</p>	<p><b>P. 249</b> NEW XL-Part 800 column-chassis, support bases</p>	<p><b>P. 250</b> NEW XL-Part 1600 column-chassis, support bases</p>



## New in 2007





# Easy and clever cabling



- > Fast locking of cover by flip-latch for 2, 3 and 4 rows 12 modules boxes
- > Push-latch system for opening and closing
- > Choice of doors :
  - white or blue-tinted transparent plastic door
  - white metal door



- > Chassis can be clipped

## Nedbox surface mounting distribution cabinets 8 to 48 modules



6012 44



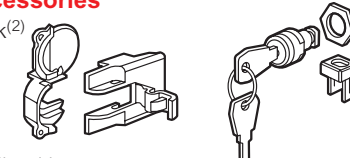
6012 09

6012 15

IP 40 - IK 07 with door  
IP 30 - IK 05 without door  
Class II - White RAL 9010  
Conform to EN 60439-3  
Self extinguishing 650° C  
Polysterene material  
Can be equipped with reversible plastic or metal door  
Chassis can be clipped removed and tipped back to facilitate cabling  
Supplied without terminal blocks (see below)

Pack	Cat.Nos	Distribution boxes
1	6012 40	<b>Cover fixing with quick motion screws</b> 1 row of 8 modules
1	6012 41	1 row of 12 + 1 modules
1	6012 42	<b>Fast locking by flip latch</b> 2 rows of 12 + 2 modules
1	6012 43	3 rows of 12 + 3 modules
1	6012 44	4 rows of 12 + 4 modules

		Doors		
		Plastic doors - polycarbonate		
	White	Blue tinted <sup>(1)</sup>		
1	6012 05	6012 15	For Cat.No 6012 40	
1	6012 06	6012 16	For Cat.No 6012 41	
1	6012 07	6012 17	For Cat.No 6012 42	
1	6012 08	6012 18	For Cat.No 6012 43	
10/1	6012 09	6012 19	For Cat.No 6012 44	
		Metal doors		
1	6012 26		For Cat.No 6012 41	
1	6012 27		For Cat.No 6012 42	
1	6012 28		For Cat.No 6012 43	
1	6012 29		For Cat.No 6012 44	

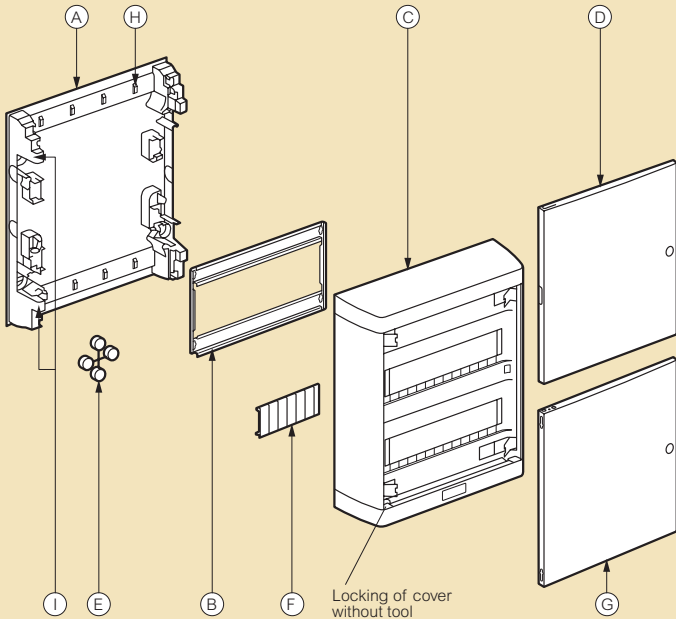
		Accessories		
1	014 91	Lock <sup>(2)</sup>		
1	013 89	Sealing kit		
20	016 60	<b>Blanking plates</b>		
10	016 62	Separable into modules or 1/2 modules 5 modules - white 13 modules - white		
10	6012 90	<b>Terminal blocks for 1 row of 8 modules</b> Neutral and earth - 2 x 8 holes		
10	6012 91	<b>Terminal blocks for 1, 2, 3 and 4 rows of 12 modules</b> Neutral and earth - 2 x 12 holes		
10	6012 92	Earth - 30 holes		
10	6012 93	Neutral - 30 holes		

(1) Transparent plastic doors  
(2) For Cat.Nos 6012 42/43/44

# Nedbox

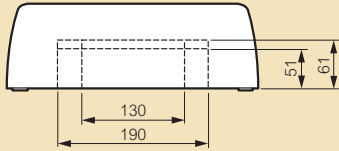
surface mounting distribution cabinets  
8 to 48 modules

## ■ Distribution cabinets 2, 3 or 4 rows of 12 modules

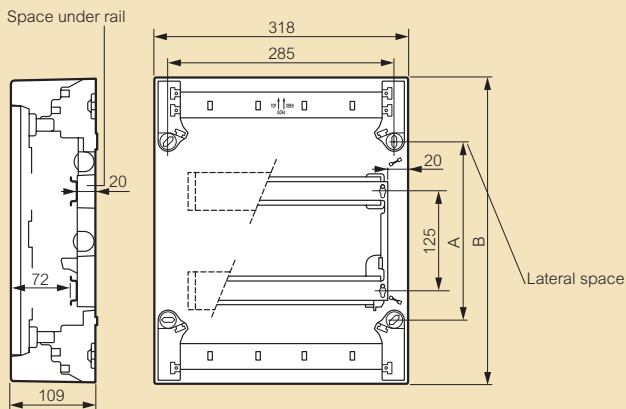


- A : insulating base
- B : chassis
- C : cover
- D : plastic or metal door
- E : sealing caps
- F : blanking plates
- G : metal door
- H : fixation for cables
- I : fixation for terminal blocks

### Pre-cut part for trunking systems

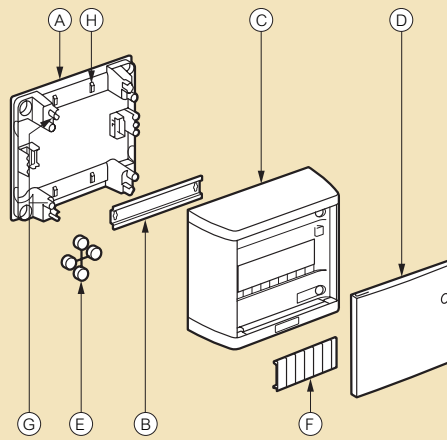


### Dimensions



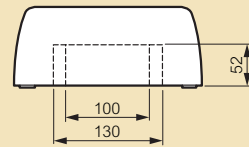
	24 mod.	36 mod.	48 mod.
<b>A</b>	225	350	475
<b>B</b>	380	505	630

## ■ Distribution cabinets 1 row of 8 or 12 modules

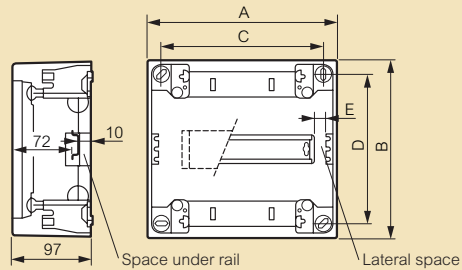


- A : insulating base
- B : rail
- C : cover
- D : plastic or metal door
- E : sealing caps
- F : blanking plates
- G : fixation for terminal blocks
- H : fixation for cables

### Pre-cut part for trunking systems



### Dimensions



	8 mod.	12 mod.
<b>A</b>	225	317
<b>B</b>	210	240
<b>C</b>	195	287
<b>D</b>	180	150
<b>E</b>	14	9

## terminal shield boxes

2 to 6 modules



013 56

013 57

013 58

IP 30  
 Conform to EN 60439-3  
 Self extinguishing: 850° C  
 Supplied without terminal blocks  
 Class II  
 White RAL 9010  
 Covers can be sealed

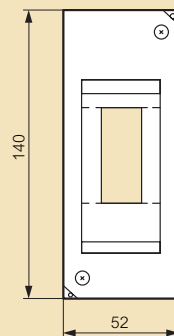
Pack	Cat.Nos	Terminal shield boxes	
		Capacity in 17.5 mm modules	Dimensions (mm) Height x Width x Thickness
50	013 56	2 modules	140 x 52 x 68
30	013 57	4 modules	140 x 87 x 68
20	013 58	6 modules	140 x 130 x 68

## terminal shield boxes

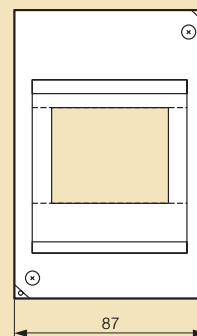
2 to 6 modules

### ■ Dimensions

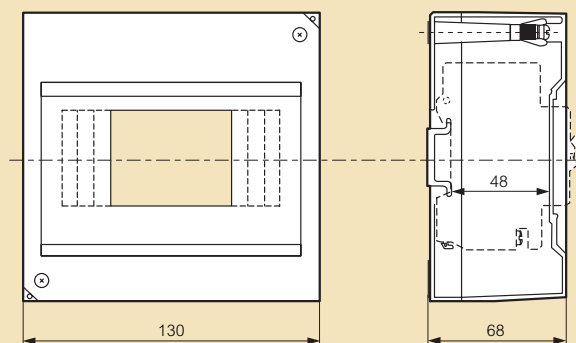
2 modules



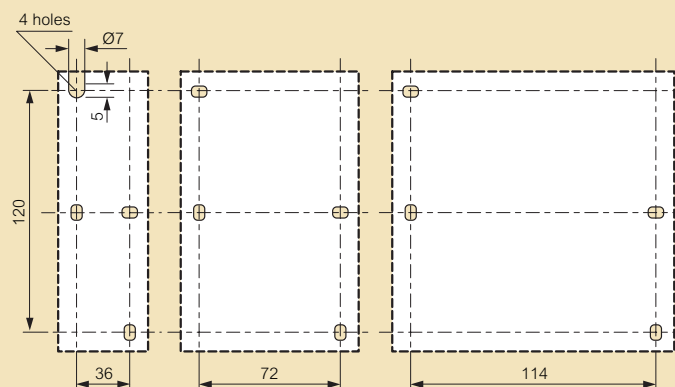
4 modules

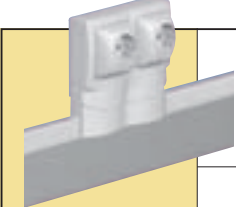


6 modules



### ■ Mounting





**DLP mini-trunking**

see p. 688 to 690

# NX flush-mounting distribution cabinets

4 to 36 modules



6023 05



6023 35

6023 24

IP 40 - IK 07 with door  
Class II  
Conform to standard IEC 439  
Supplied without terminal block

Pack	Cat.Nos	Flush mounting boxes
		Plastic
10	6023 00	1 row of 4 modules
10	6023 01	1 row of 6 modules
10	6023 02	1 row of 8 modules
10	6023 03	1 row of 12 modules
5	6023 04	1 row of 18 modules
5	6023 05	2 rows of 12 modules
5	6023 06	3 rows of 12 modules

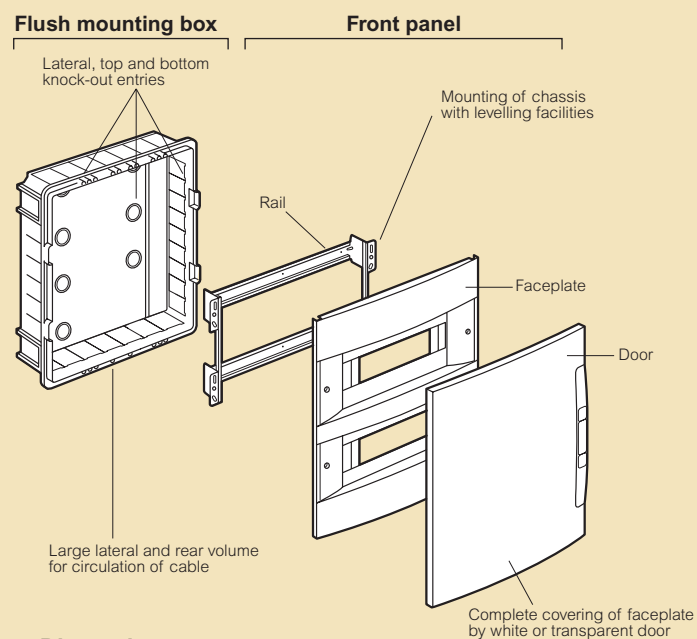
		Front panels
		Comprising: • Rail • Faceplate • Door (2 finishes available)
		Plastic doors
	White	Transparent
1	6023 20	6023 30
1	6023 21	6023 31
1	6023 22	6023 32
1	6023 23	6023 33
1	6023 24	6023 34
1	6023 25	6023 35
1	6023 26	6023 36

		Accessories
1	017 66	Lock and key No 850 (only for 2 or 3 rows distribution cabinets)
5	016 40	Flat bar 12 x 2 - length 318 mm
10	6070 99	Kit for association of flush mounting distribution cabinets
		Blanking plates
		Separable into modules or 1/2 modules
20	016 60	5 modules - white
10	016 62	13 modules - white
10	016 64	18 modules - white
		Terminal blocks
10	6012 90	Neutral and earth - 2 x 8 holes

**IP 2X terminal blocks** (p. 232)

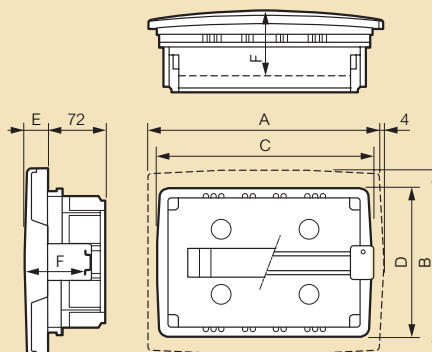
# NX flush-mounting distribution cabinets

4 to 36 modules



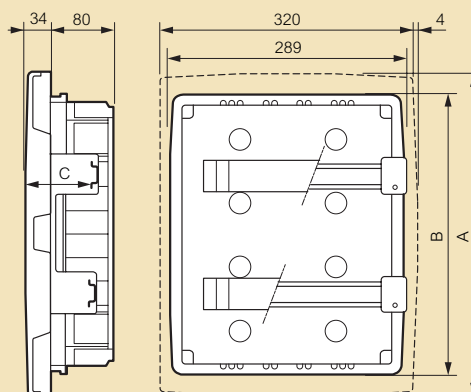
## Dimensions

### 1 row distribution cabinets



	4 mod.	6 mod.	8 mod.	12 mod.	18 mod.
<b>A</b>	181	239	275	320	422
<b>B</b>	200	225	232	253	279
<b>C</b>	170	208	244	287	391
<b>D</b>	149	180	180	208	253
<b>E</b>	29	33	34	34	34
<b>F</b>	77.5	81.5	82	82	82

### 2 or 3 rows distribution cabinets



	24 mod.	36 mod.
<b>A</b>	410	560
<b>B</b>	358	508
<b>C</b>	81	82



## consumer units flush and surface mounting



6010 44

6075 04

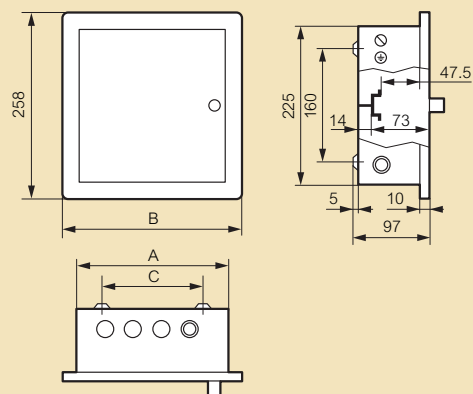
Conform to EN 60439-3  
Supplied completely assembled with neutral and earth terminals

Pack	Cat.Nos	Flush mounting boxes
1	6010 42	Metal IP 41 - IK 08 with white metal door 8 modules units (6 available MCB ways)
1	6010 44	12 modules units (10 available MCB ways)
1	6010 46	16 modules units (14 available MCB ways)

Pack	Cat.Nos	Surface mounting boxes
1	6075 00	Plastic IP 30 – IK 07 with transparent lens Beige <b>4 to 8 module units</b> Comprising: • One neutral + one earth terminals • One supply busbar • Isolating shield
1	6075 01	4 modules units 8 modules units (with five blanking plates) <b>12 to 22 module units</b> Removable pan assembly Comprising: • Two neutral + one earth terminals • Five blanking plates • One supply busbar • Isolating shield
1	6075 02	12 modules units
1	6075 04	16 module units
1	6075 06	22 modules units

## consumer units flush and surface mounting

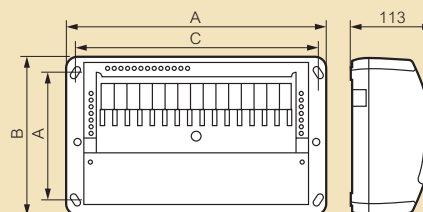
### ■ Metal IP 41 - IK 08



Cat.Nos	Dimensions			Top bottom			
	A	B	C	Ø25	Ø32	Ø25	Ø32
6010 42	210	250	140	3	1	3	1
6010 44	281	321	211	5	1	5	1
6010 46	353	393	283	6	1	6	1

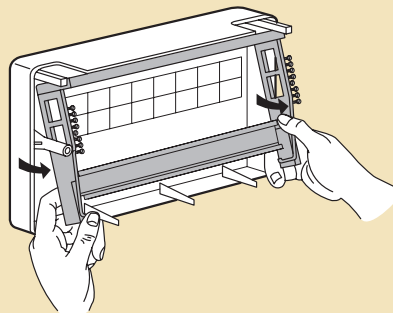
### ■ Plastic IP 30 - IP 07

#### 4 to 22 module units



Cat.Nos	Dimensions			
	A	B	C	D
6075 00	140	225	90	144
6075 01	212	225	162	144
6075 02	298	225	268	180
6075 04	370	225	340	180
6075 06	478	225	448	180

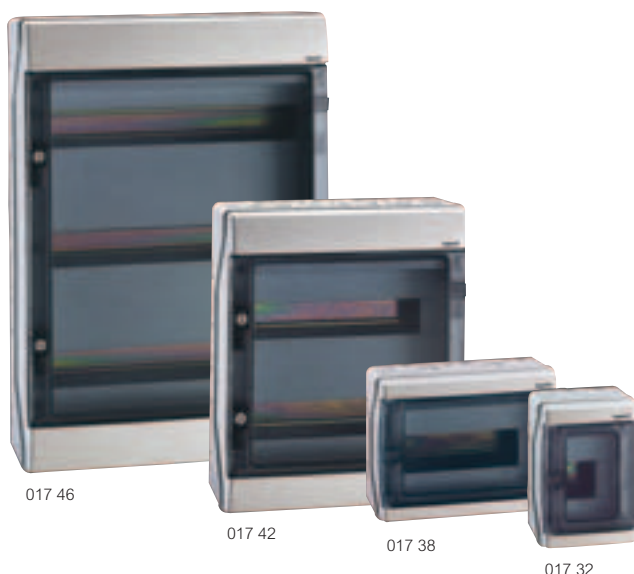
#### Removable pan assembly



For accessories, please consult us

# Plexo

weatherproof terminal shield boxes and distribution cabinets



IP 55 - IK 08  
 Self-extinguishing at 650 °C  
 Class II  
 Temperature rating - 20 °C to + 70 °C  
 Sealable using sealing screws Cat.No 017 68  
 Can be locked using lock and key Cat.No 017 66

Pack	Cat.Nos	Terminal shield boxes
1	017 32	Box and cover in moulded insulating material Covers clip shut 1 row of 2 + 1 modules
1	017 34	1 row of 4 modules
1	017 36	1 row of 6 modules
1	017 38	1 row of 8 + 1 modules

		Distribution cabinets
		Box and cover in moulded material Cover closed with handle(s) Integrated 1/4 turn fastening
		<b>12 modules per row</b> Mounting distance 125 mm
1	017 41	1 row of 12 + 1 modules
1	017 42	2 rows of 12 modules
1	017 43	3 rows of 12 modules
		<b>18 modules per row</b> Mounting distance 150 mm
1	017 45	2 rows of 18 modules
1	017 46	3 rows of 18 modules

		Accessories
		<b>Membrane glands</b>
50	919 03	For Ø5 to 18 mm cables
50	919 05	For Ø6 to 22 mm cables
50	919 06	For Ø6 to 28 mm cables
		<b>Blanking plates grey RAL 7035</b> Separable into modules or 1/2 modules
20	016 61	5 modules
10	016 65	18 modules
		<b>Miscellaneous</b>
10	017 56	Bushing for PG 16 inputs
1	017 66	Lock and key No 850 (only for 2 or 3 rows distributions cabinets)
1	017 67	Joining accessory Used to connect 2 cabinets and maintain the IP for Cat.Nos 017 42 to 017 46
1	017 68	Sealing screws (set of 2)
1	017 69	Wall brackets (set of 4)
		<b>Terminal blocks for 12 and 18 modules per row</b>
5	017 71	Terminal support for distribution cabinets
10	6012 91	Neutral and earth - 2 x 12 holes
10	6012 92	Earth - 30 holes
10	6012 93	Neutral - 30 holes

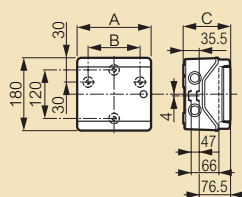


# Plexo

weatherproof terminal shield boxes and distribution cabinets

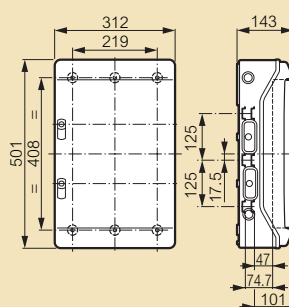
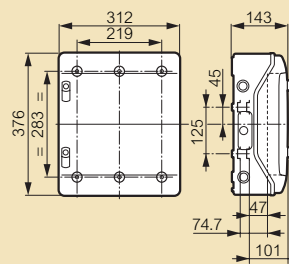
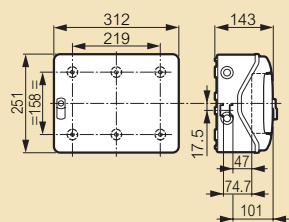
## ■ Dimensions

### Terminal shield boxes

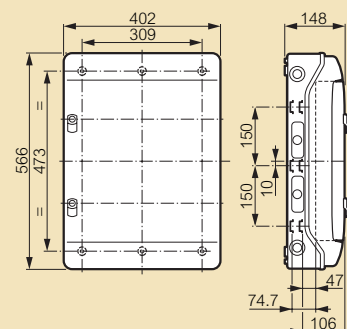
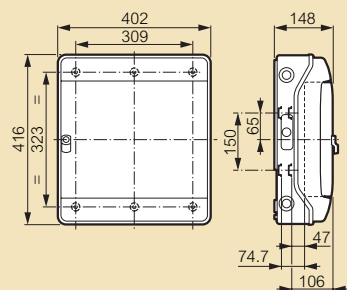


Cat.Nos	A	B	C
017 32	124	72	108
017 34	142	90	115
017 36	178	126	115
017 38	232	180	115

### Cabinets 12 modules per row



### Cabinets 18 modules per row



## ■ Number of knockouts per side

Cat.Nos	PG number							
	11	11-16	16	16-21	21	21-29	16-21-29	21-29-36
	Diameter (mm)							
	19	19-23	23	23-29	29	29-38	23-29-38	29-38-48
017 32	-	-	1	-	1	-	-	-
017 34	-	-	2	1	-	-	-	-
017 36	2	2	2	1	-	-	-	-
017 38	2	-	-	2	-	-	1	-
017 41/42/43	3	4	7	1	-	2	-	-
017 45/46	4	-	12	2	-	2	-	1



# XL<sup>3</sup> distribution cabinets and enclosures

The XL<sup>3</sup> system of cabinets, enclosures and distribution equipment provides you with all the solutions for your assemblies up to 4000 A

## The XL<sup>3</sup> range

### ENCLOSURES

- **XL<sup>3</sup> 160**
  - Ready-to-use cabinets (24 modules per row)
- **XL<sup>3</sup> 400 AND 800**
  - Cabinets and enclosures that can be fitted with rails, plates, faceplates (24 modules per row)
- **XL<sup>3</sup> 4000**
  - Modular enclosures (structure: roof/base, uprights) up to 36 modules per row

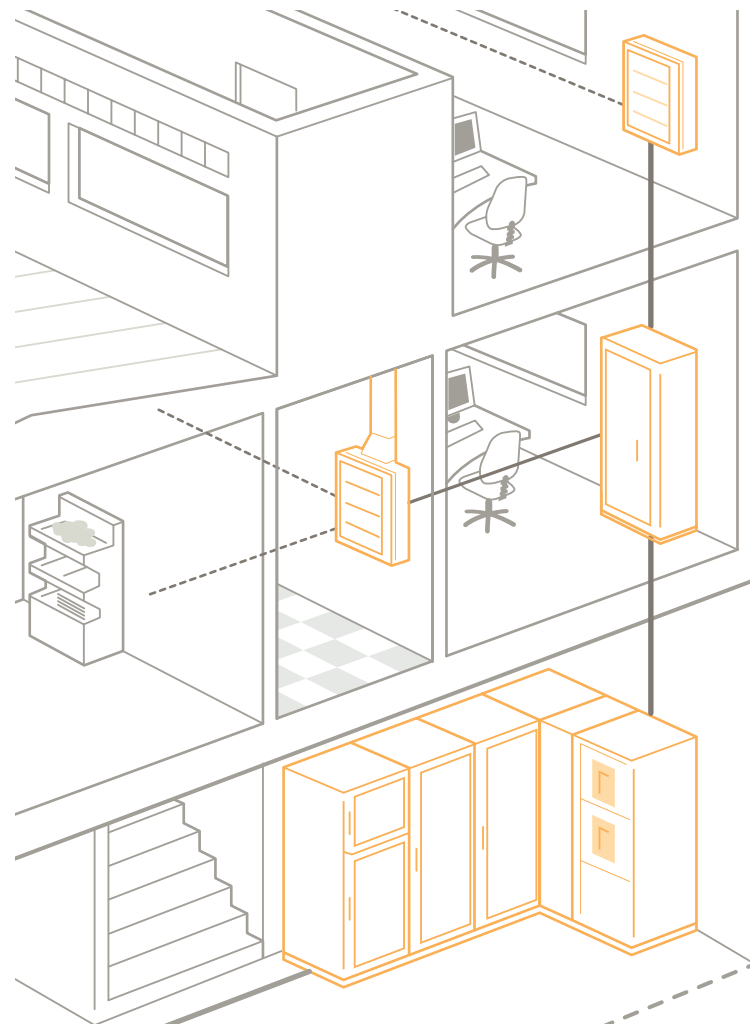
### DISTRIBUTION

- **STANDARD DISTRIBUTION**
  - Busbar support, distribution blocks, terminal blocks, supply busbars
- **XL-PART OPTIMISED DISTRIBUTION**
  - Column chassis
  - Active backplate
  - Row distribution blocks



### EQUIPMENT

- Rails
- Plates
- 1/4 turn faceplates, screw-mounting, with hinge
- Metal or glass, flat or curved doors
- Wiring (guide rings, Lina 25 ducting, etc.).



### XL PRO<sup>2</sup> PANEL DESIGN SOFTWARE

- It can be used for:
- Choosing components
  - Calculating the corresponding enclosures
  - Displaying and modifying the layout of the products
  - Drawing up the circuit diagram of the panel
  - Working out the cost

Removable side panel

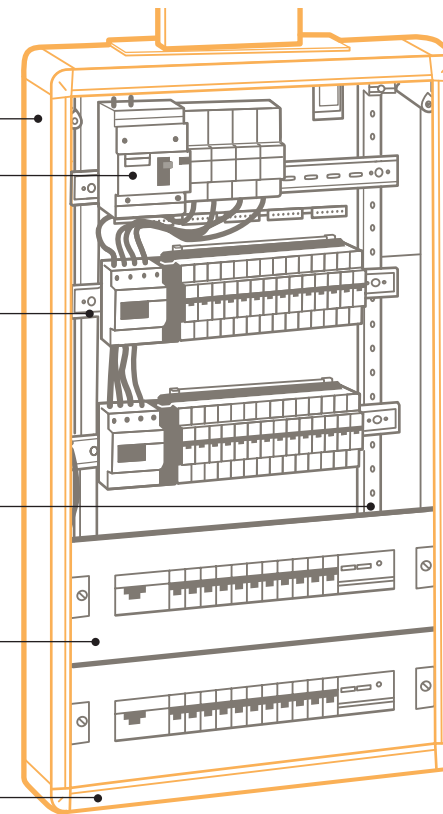
DPX 160<sup>(1)</sup>  
(Subscriber MCB in insulated XL<sup>3</sup> 160)

Rail fitted as original equipment

Removable chassis

1/4 turn metal faceplate

Removable frame



## XL<sup>3</sup> 160 cabinets

Supplied ready for use with 24 modules per row, they are available in insulated<sup>(2)</sup> and metal versions

### FULLY MODULAR METAL CABINETS<sup>(2)</sup>

- Supplied complete with rails, faceplates and adjustable cable entry plate
- Consist of:
  - . 1 removable chassis with rails fitted
  - . 1 brass bar for protective conductors
  - . Removable side panels
  - . Removable separable top and bottom for inserting cable entry plates
- Take the following devices:
  - . DPX 125, Lexic and Vistop up to 160 A
  - . DPX 160 in cabinets with dedicated space

### STANDARD DISTRIBUTION

- This is carried out using IP 2X terminal blocks, supply busbars, distribution busbars and modular distribution blocks



(1) It is possible to have a DPX 160 with a rail in low position in cabinets with dedicated space  
(2) Flush-mounting, insulated version see page 171-172

See the on-line catalogue: instructions, technical data sheets, etc.

Come and be trained at Innoval see p. 409

See the Distribution and Power guide

**NEW**

**XL<sup>3</sup> 160**

"ready to use" metal distribution cabinets



200 06



200 45

Fireproof to 750 °C/5 s in accordance with IEC 60695-2-1 for installation in public buildings. Removable chassis with rails fitted. Brass bar for protective conductors fitted: 36 holes 1.5 to 10 mm<sup>2</sup> and 2 x 35 mm<sup>2</sup> holes. Capacity 24 modules per row. RAL 7035. Supplied complete with rails and faceplates. Doors to be ordered separately. IP 43 – IK 08 with seal and door. IP 40 – IK 08 with door. IP 30 – IK 07 without door.

**Fully modular cabinets**

Pack	Cat.Nos	Can take DPX 125					
		No of rows	No of modules	Height (mm)	Width (mm)	Depth (mm)	
1	200 02	2	48	450	575	147	
1	200 03	3	72	600	575	147	
1	200 04	4	96	750	575	147	
1	200 05	5	120	900	575	147	
1	200 06	6	144	1050	575	147	

**Fully modular with DPX 160 space**

	Cat.Nos	No of rows	No of modules	Height (mm)	Width (mm)	Depth (mm)	
1	200 45	3	72	900	575	147	
1	200 46	4	96	1 050	575	147	

**Accessories**

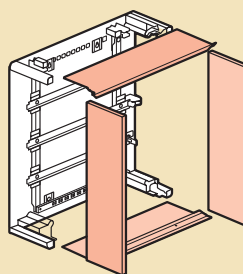
1	200 20	<b>Cable entry plates</b> Additional adjustable plate
1	200 35	<b>Cable fixing support</b> Holds cable in place on entry to cabinet
1	201 00	<b>Wall mounting lugs</b> Set of 4 metal lugs
1	200 21	<b>Plate with knock-out entries</b> 2 x Ø4 to 32 mm and 22 x Ø4 to 20 mm

**Fully modular insulating cabinets** (p. 171)

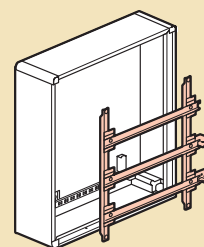
**XL<sup>3</sup> 160**

"ready to use" metal distribution cabinets

**Installation principle**

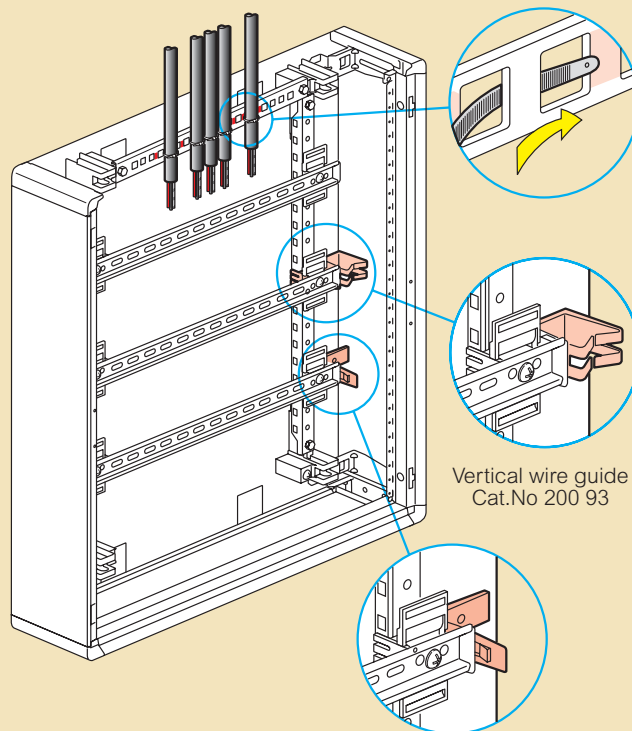


Side panels can be removed separately



Removable chassis

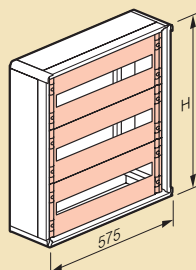
Fixing cables and wiring  
Cat.No 200 35



Vertical wire guide  
Cat.No 200 93

Support for Lina 25 ducting  
Cat.No 200 70

**Dimensions**



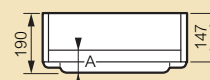
Cat.Nos	H (mm)
200 02	450
200 03	600
200 04	750
200 05	900
200 06	1050
200 45	900
200 46	1050

**With flat door**



	A (mm)
Metal	38
Glass	34

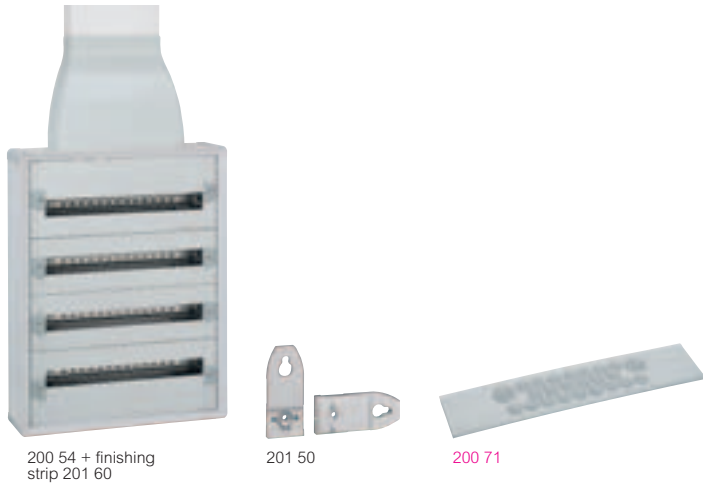
**With curved door**



	A (mm)
Metal	57
Glass	53

# XL<sup>3</sup> 160

"ready to use" insulating distribution cabinets



Class II  
Removable side panels and frame  
Wire guide rings for vertical wiring  
IP 43 – IK 07 with seal and door  
IP 40 – IK 07 with door  
IP 30 – IK 04 without door

Pack	Cat.Nos	Fully modular				
		Can takes DPX 125				
		No of rows	No of modules	Height (mm)	Width (mm)	Depth (mm)
1	200 52	2	48	450	575	147
1	200 53	3	72	600	575	147
1	200 54	4	96	750	575	147
1	200 55	5	120	900	575	147
1	200 56	6	144	1050	575	147

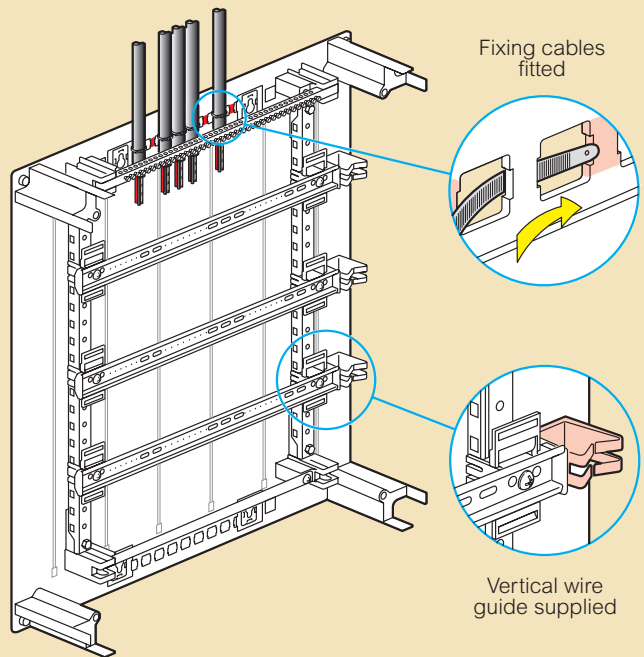
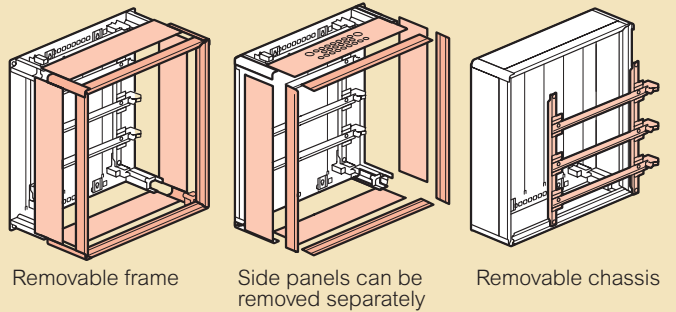
Accessories	
1	201 50 Wall mounting lugs Set of 4 plastic lugs
1	200 71 Plate with knock-out entries 2 x Ø4 to 32 mm and 22 x Ø4 to 20 mm

Doors and equipment (p. 173)

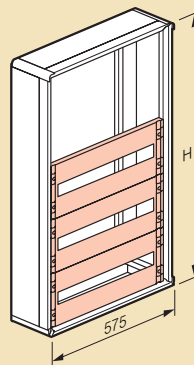
# XL<sup>3</sup> 160

"ready to use" insulating distribution cabinets

## Installation principle

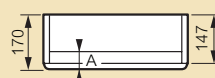


## Dimensions



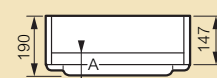
Cat.Nos	H (mm)
200 52	450
200 53	600
200 54	750
200 55	900
200 56	1050

### With flat door



	A (mm)
Metal	38
Glass	34

### With curved door



	A (mm)
Metal	57
Glass	53

## XL<sup>3</sup> 160

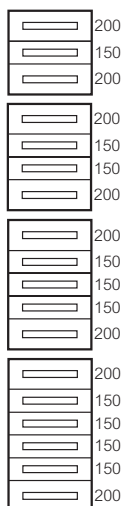
"ready to use" flush-mounting distribution cabinets



200 13 + door 202 83

IP 40 – IK 08 with door  
 IP 30 – IK 04 without door  
 Fireproof to 750 °C/5 s in accordance with IEC 60695-2-1 for installation in public buildings  
 Supplied complete:  
 - metal flush-mounting box,  
 - removable chassis with rails fitted,  
 - brass bar for protective conductors fitted:  
 36 holes 1.5 to 10 mm<sup>2</sup>,  
 2 x 35 mm<sup>2</sup> holes,  
 - finishing frame and plastic faceplates  
 Flush-mounting depth: 100 mm min.  
 Capacity: 24 modules per row  
 RAL 7035  
 Doors to be ordered separately (p. 173)  
 Can take DPX 125 units

Pack	Cat.Nos	Fully modular cabinets					
		No of rows	No of modules	Front panel (mm)		Box (mm)	
				Height	Width	Height	Width
1	200 13	3	72	695	670	640	617
1	200 14	4	96	845	670	790	617
1	200 15	5	120	995	670	940	617
1	200 16	6	144	1 145	670	1 090	617



Pack	Cat.Nos	Fixing accessory
1	200 10	For hollow partition

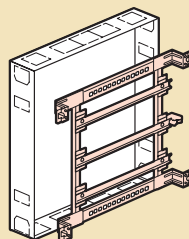
**Doors and equipment** (p. 173)

**XL<sup>3</sup> 160 metal cabinets** (p. 170)

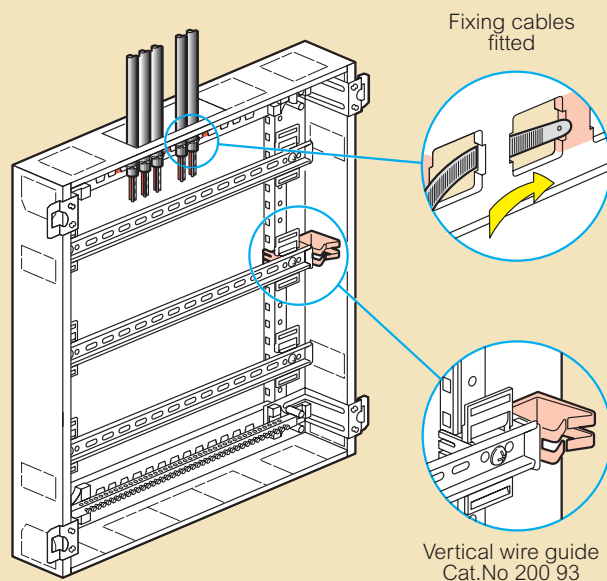
## XL<sup>3</sup> 160

"ready to use" flush-mounting distribution cabinets

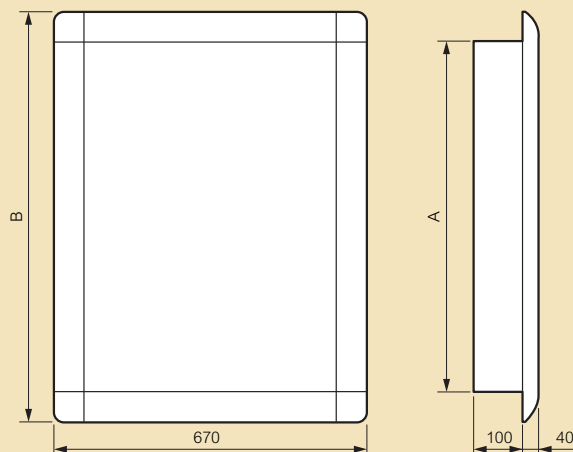
### Installation principle



Removable chassis



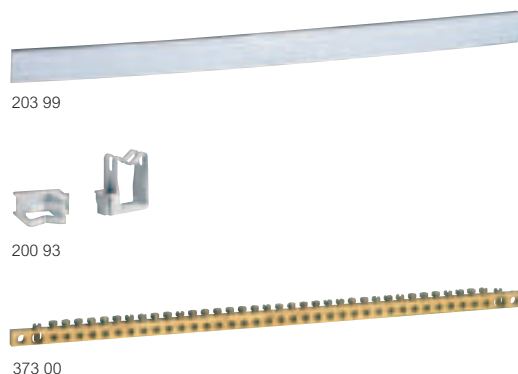
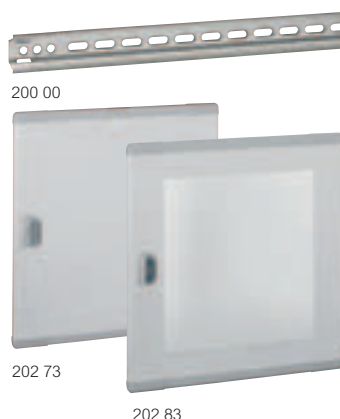
### Dimensions



Cat.Nos	A (mm)	B (mm)
200 13	640	695
200 14	790	845
200 15	940	995
200 16	1 090	1 145

# XL<sup>3</sup> 160

doors, equipment, wiring, connection of protective conductor



Pack	Cat.Nos		<b>Doors</b>			
			Supplied with handle with interchangeable barrels (to be ordered separately)			
			<b>Curved</b>			
	Metal	Transparent	For cabinet Height (mm)	Cabinet/door distance (mm)		
				Metal	Transparent	
1	202 52	202 62	450	57	53	
1	202 53	202 63	600	57	53	
1	202 54	202 64	750	57	53	
1	202 55	202 65	900	57	53	
1	202 56	202 66	1 050	57	53	
			<b>Flat<sup>(1)</sup></b>			
	Metal	Transparent	For cabinet Height (mm)	Cabinet/door distance (mm)		
				Metal	Transparent	
1	202 72	202 82	450	38	34	
1	202 73	202 83	600/695	38	34	
1	202 74	202 84	750/845	38	34	
1	202 75	202 85	900/995	38	34	
1	202 76	202 86	1 050/1 145	38	34	
			<b>Key barrels for metal or transparent doors</b>			
			Supplied with a set of 2 keys			
1	202 91		Type 405			
1	202 92		Type 455			
1	202 93		Type 1242 E			
1	202 94		Type 2433 A			
			<b>Seal for IP 43 protection</b>			
1	201 30		Supplied ready to use			
			<b>Self-adhesive document holders for plan</b>			
10	097 99		Flexible plastic - A4			
1	365 82		Rigid plastic closed - IP 50 Internal dim.: 324 x 120 x 18 mm			

Pack	Cat.Nos		<b>Equipment for cabinet with DPX 160 space</b>			
1	200 00		<b>Universal rail</b> Rail			
			<b>Faceplates</b> For insulating cabinets			
1	203 60		Height 300 mm for DPX 160			
1	203 91		Height 100 mm full			

Pack	Cat.Nos		<b>Equipment for fully modular cabinets</b>			
			<b>Fixing plates</b>			
1	262 08		For fixing devices on rail			
1	262 09		For DPX 125 For DPX 160			
			<b>Rail height spacer</b>			
1	262 99		Fits on a rail ; used to mount on the same row DX and DPX/DPX-IS mounted on plate Cat.Nos 262 08/09/39 20 modules			
			<b>Blanking plates RAL 7035</b>			
20	200 51		For metal or plastic faceplates			
10	016 65		Smooth adjustable strip, 24 modules 18 modules, separable per module or 1/2 module			
			<b>Clip-on holders for adhesive labels</b>			
10	203 99		Supplied with sheet of labels for marking rows on faceplate 24 modules			
			<b>Wiring</b>			
			<b>Wire guide</b>			
10	200 94		For horizontal wiring Fits directly on the rails that are installed Takes brass bar Cat.No 373 00 and 12 x 4 bar with clamps Cat.No 373 02			
1	200 93		For vertical wiring Fits directly on cabinet chassis - Set of 2			
			<b>Ducting support</b>			
10	200 70		For direct vertical mounting of Lina 25 ducting Fits directly on cabinet chassis - Set of 2			
			<b>Finishing strip</b>			
1	201 60		For DLP/cabinet connection			

Pack	Cat.Nos		<b>Connection of protective conductors</b>			
			<b>Additional brass bar</b>			
1	373 00		Length 416 mm, 12 x 6.5 mm section Fits directly on the supports integrated in the XL <sup>3</sup> 160 cabinet or on rail  with wire guide Cat.No 200 94 or on the support end stop Cat.No 393 99 36 holes Ø5.3 mm (1.5 to 10 mm <sup>2</sup> ) 2 holes Ø9 mm (35 mm <sup>2</sup> )			
			<b>Support for IP 2X terminal block</b>			
1	200 50		Set of 2 supports Fit directly at the back of cabinets (horizontal or vertical position) Takes 12 x 2 flat bar Cat.No 048 19			
10	048 19		Flat bar 12 x 2 mm Length 1 meter			
			<b>Equipotential link conductor</b>			
1	373 85		Length 350 mm Cross-section 6 mm <sup>2</sup> , ensures equipotential continuity when fitting auxiliaries on door (Osmoz signalling units > 50 V)			

(1) Not suitable for Vistop with front handle